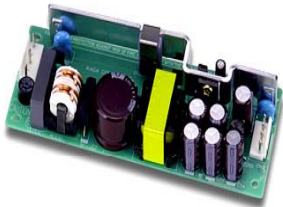




KLT30F Series

30 WATT, Universal Input Open Frame Switching Power Supply



FEATURES

- ▶ **TRIPLE OUTPUTS**
- ▶ **LOW COST**
- ▶ **OPEN FRAME**
- ▶ **UNIVERSAL INPUT**
- ▶ **OVERVOLTAGE PROTECTION**
- ▶ **OVERCURRENT PROTECTION**
- ▶ **COMPACT, LOW-PROFILE PACKAGES**
- ▶ **3 YEAR WARRANTY**
- ▶ **OPTIONAL CHASSIS AND COVER**

SAFETIES/APPROVALS

UL60950
 CSA C22.2 No. 60950(cUL)
 CE EN60950 3rd Edition (LVD)

ELECTRICAL SPECIFICATIONS

All specifications are typical at nominal input, full load

INPUT SPECIFICATIONS

Input Voltage.....85 ~ 264VAC
 Input Frequency.....47 ~ 63Hz
 Input Current.....0.8A Typ.
 Inrush Current.....15A

OUTPUT SPECIFICATIONS

Output VoltageSee Chart
 Efficiency.....70% Typ.
 Over-Voltage Protection.....CH1 only. Zener Limiter
 Over-Current Protection.....Automatic Recovery
 Ripple and Noise.....See Chart
 Hold-Up Time.....20 mS
 Load Regulation.....**CH1** - 100mV
 CH2, CH3 - 120mV
 Rise Time.....100mS
 Leakage Current**100V** - 0.5mArms
 230V - 0.75mArms
 Drift (8H, after 1H).....0.5% +15 mV

GENERAL SPECIFICATIONS

Isolation Voltage
 Primary to Secondary.....3000VAC
 Primary to Case.....1500VAC
 Secondary to Case.....500VAC
 Isolation Resistance.....100 M-Ohms min.

ENVIRONMENTAL SPECIFICATIONS

Operating Temperature0°C ~ +60°C
 Cooling.....Convection
 Temperature Coefficient.....0.02% / °C
 Humidity.....20 ~ 85%Rh (non-condensing)
 Storage Temperature.....-20°C ~ +85°C
 Shock Vibration.....Shock: 20G(3 Directions each 3 times)
 Vibration: 10 ~ 55Hz

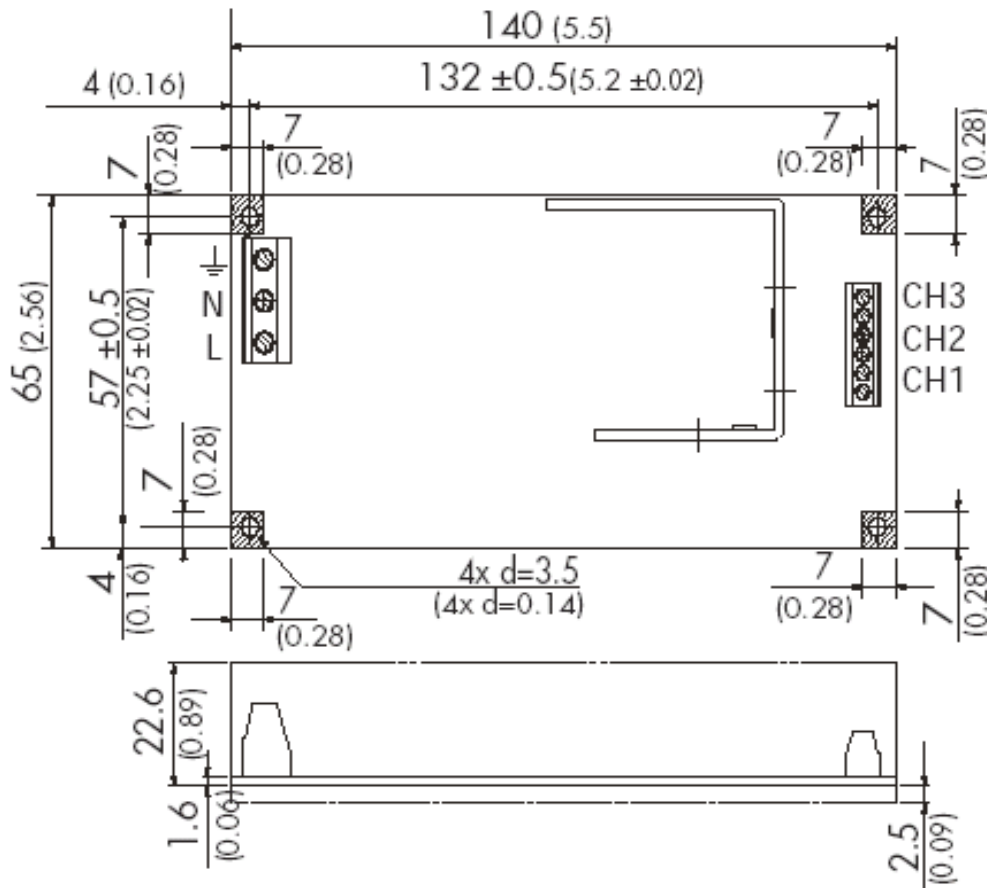
PHYSICAL SPECIFICATIONS

Open Frame

MODEL	OUTPUT 1		OUTPUT 2		OUTPUT 3		Ripple & Noise (mVp-p)
KLT30F-0522	+5V	4.0A	+12V	1.2A	-12V	0.5A	150mVp-p
KLT30F-0533	+5V	4.0A	+15V	1.0A	-15V	0.5A	150mVp-p

MAX POWER NOT TO EXCEED 15WATTS

KLT30F



Note:

- **Phoenix connector shown. JST and Molex connectors available.**
- Measurements in millimeter (mm) unless otherwise specified
- Tolerance ± 1mm

NOTE:

All specifications typical and nominal / full load and 25°C unless otherwise noted.
 Avoid sustained operation in overload or dead short conditions.
 Specifications subject to changes without notice.